

4

3

2

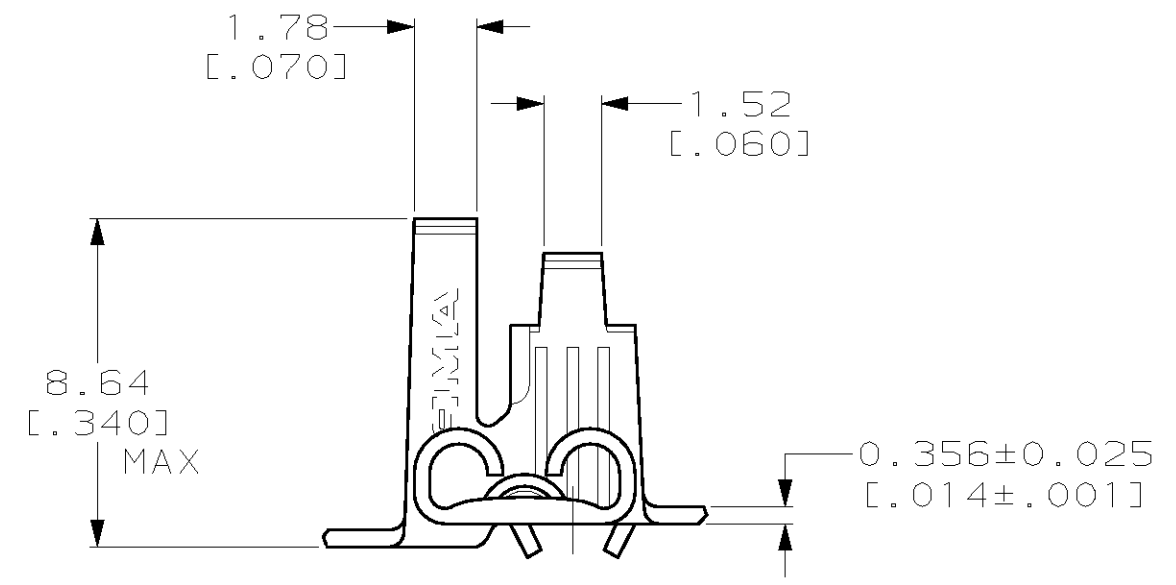
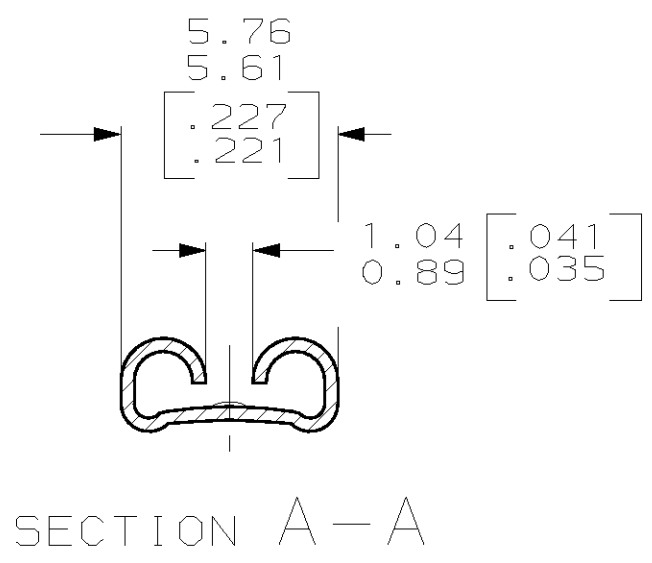
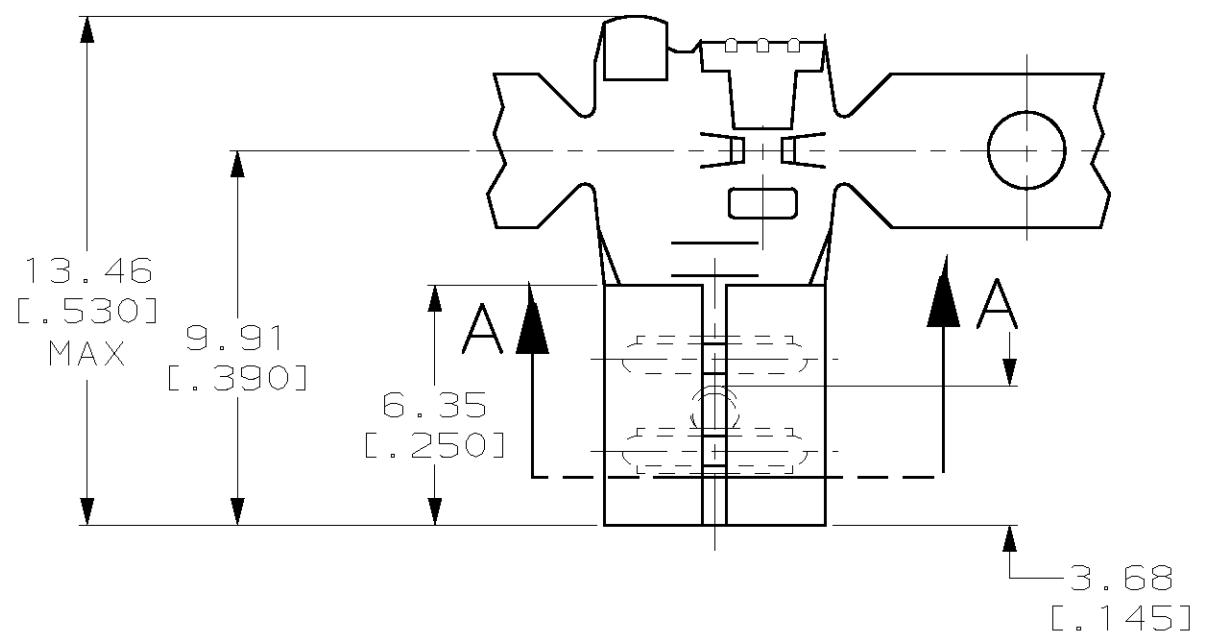
1

THIS DRAWING IS UNPUBLISHED. RELEASED FOR PUBLICATION, 19 .

© COPYRIGHT 19 BY AMP INCORPORATED. ALL RIGHTS RESERVED.

LOC	DIST	REVISIONS			
P	LTR	DESCRIPTION	DATE	DWN	APVD
AF	50	B	REL PER 0G1A-0059-98	3/17/98	JR JG

- CONTINUOUS STRIP ON REELS.
- WIRE SIZE [#18-#14] AWG.
- INSULATION RANGE 2.79-4.83  
[.110-.190] DIA.
- MATING TAB THK TO BE 0.813±0.025  
[.032±.001].



1217027-1  
PART NO.

THIS DRAWING IS A CONTROLLED DOCUMENT.		DWN JR RUTH 11/17/97	<b>AMP</b> AMP Incorporated Harrisburg, PA 17105-3608	
DIMENSIONS: MM [INCHES]		CHK MS FEHER 11/17/97		
TOLERANCES UNLESS OTHERWISE SPECIFIED:		APVD P DESANTIS 11/17/97	NAME RECEPTACLE, FASTON™ FLAG, 4.75 [.187] SERIES	
0 PLC ±-		PRODUCT SPEC	SIZE	
1 PLC ±-		APPLICATION SPEC	CAGE CODE	
2 PLC ±0.25 [.010]		114-2078	DRAWING NO	
3 PLC ±-		WEIGHT	RESTRICTED TO	
4 PLC ±-		-	A3 00779	
ANGLES ±-		CUSTOMER DRAWING	C- 1217027	
MATERIAL H04 BRASS		FINISH 0.002032 [.000080] MIN TIN	SCALE 5:1	SHEET 1 OF 1
			REV B	